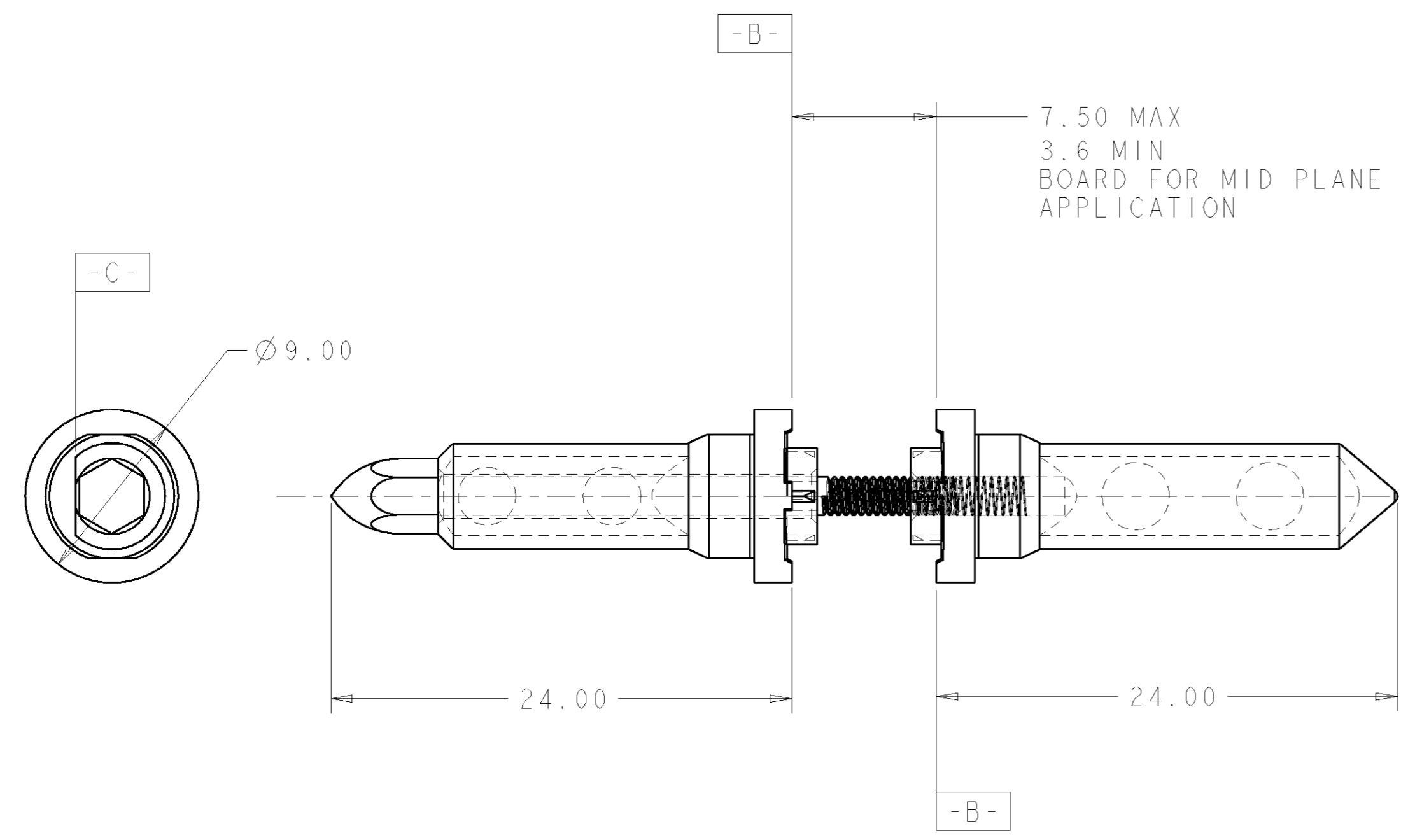
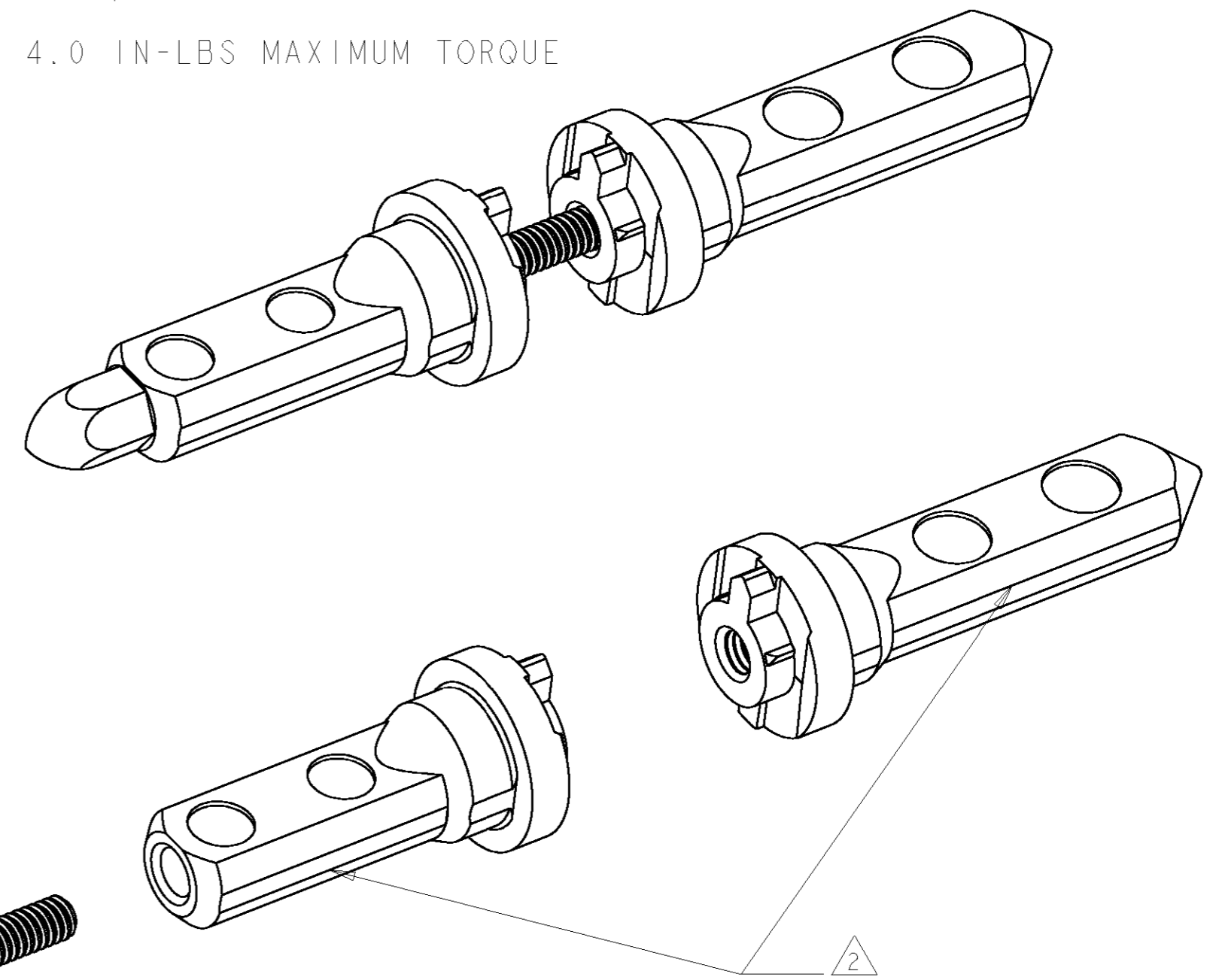


THIS DRAWING IS UNPUBLISHED. RELEASED FOR PUBLICATION 20
 © COPYRIGHT 20 BY TYCO ELECTRONICS CORPORATION. ALL RIGHTS RESERVED.

LOC	DIST	REVISIONS					
CG	00	P	LTR	DESCRIPTION	DATE	DWN	APVD
		01		PROPOSED	24FEB2004	RT	GGG
		02		RELEASED	05AUG2004	RT	GGG
		A		REV PER ECO-06-020218	24AUG2006	BC	GG



- 1 MATERIAL: ZINC ALLOY
- 2 GUIDE PIN FINISH:
3.81µm MINIMUM SILVER IN CONTACT AREA
OVER NICKEL OVER COPPER
ALL OVER ON GUIDE PINS
- 3 KEY HOLE ORIENTATION (DIM A) PER MATING
GUIDE MODULE PART NUMBER TABLE
(ORIENTATION SHOWN ON PCB LAYOUT IS FOR 1-1469492-2)
- 4 ANNULAR RING PLATED AROUND
GUIDE PIN MOUNTING HOLE ON TOP AND BOTTOM SIDE OF BOARD
- 5 GUIDE PIN RETAINER FINISH:
3.81µm MINIMUM SILVER OVER NICKEL
- 6. 4.0 IN-LBS MAXIMUM TORQUE



SCALE 4:1

1410956-1
PART NUMBER

<small>THIS DRAWING IS A CONTROLLED DOCUMENT FOR TYCO ELECTRONICS CORPORATION IT IS SUBJECT TO CHANGE AND THE CONTROLLING ENGINEERING ORGANIZATION SHOULD BE CONTACTED FOR THE LATEST REVISION.</small>		DWN R.TREA 02MAR2005 CHK G.GRIFFITH 02MAR2005 APVD G.GRIFFITH 02MAR2005	tyco Electronics Tyco Electronics Harrisburg, PA 17105-3608
DIMENSIONS: mm 	TOLERANCES UNLESS OTHERWISE SPECIFIED: 0 PLC ± 1 PLC ±0.5 2 PLC ±.13 3 PLC ±0.013 4 PLC ± ANGLES ± FINISH	PRODUCT SPEC 108-2072 APPLICATION SPEC 114-13056 WEIGHT -	NAME KEYED GUIDE PIN KIT ASSEMBLY, BACKPLANE CONNECTOR, MULTIGIG, THREADED POST SIZE A2 CAGE CODE 00779 DRAWING NO. 1410956 RESTRICTED TO - SCALE 5:1 SHEET 1 OF 2 REV A
MATERIAL	1	CUSTOMER DRAWING	

4

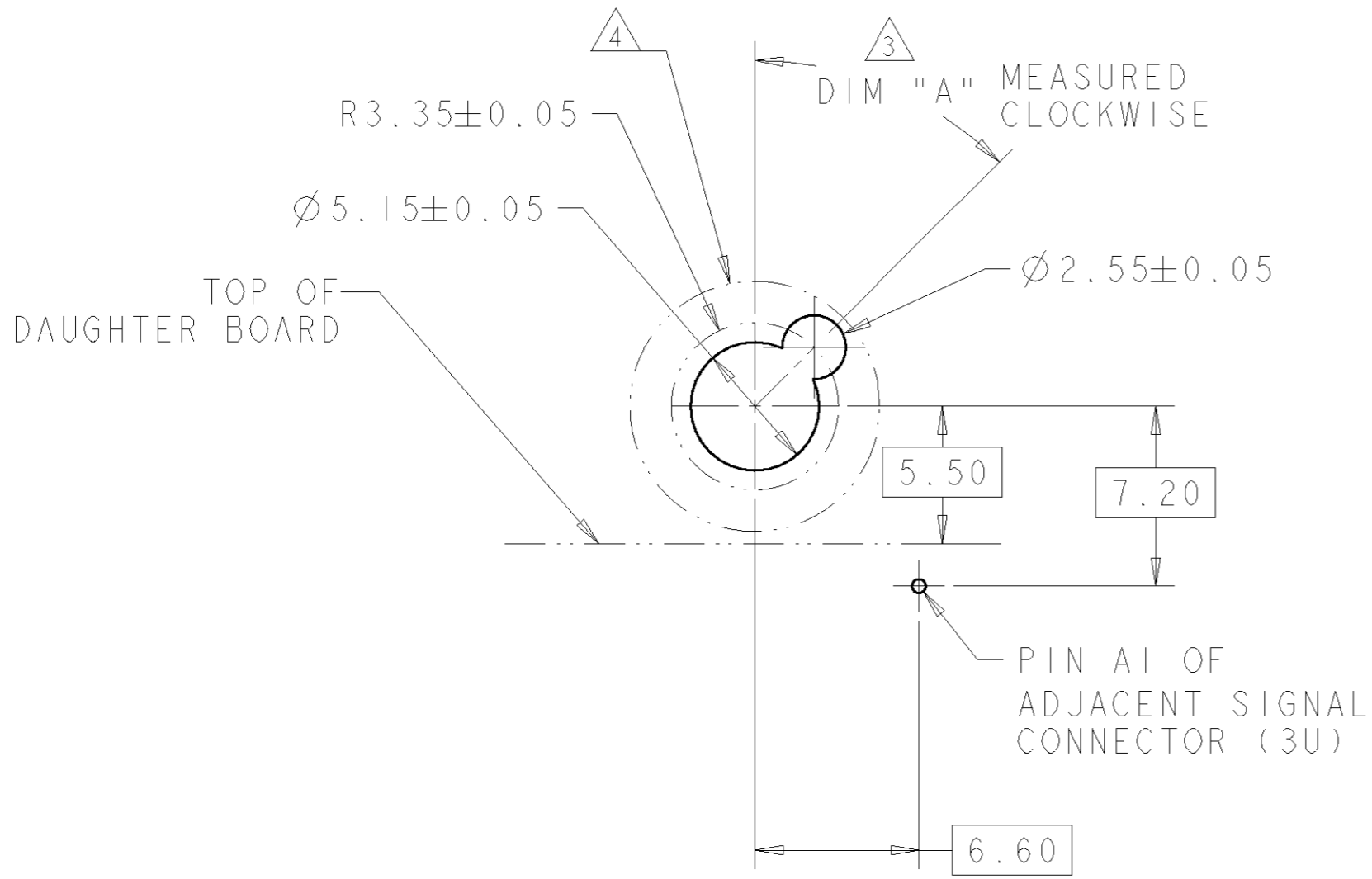
3

2

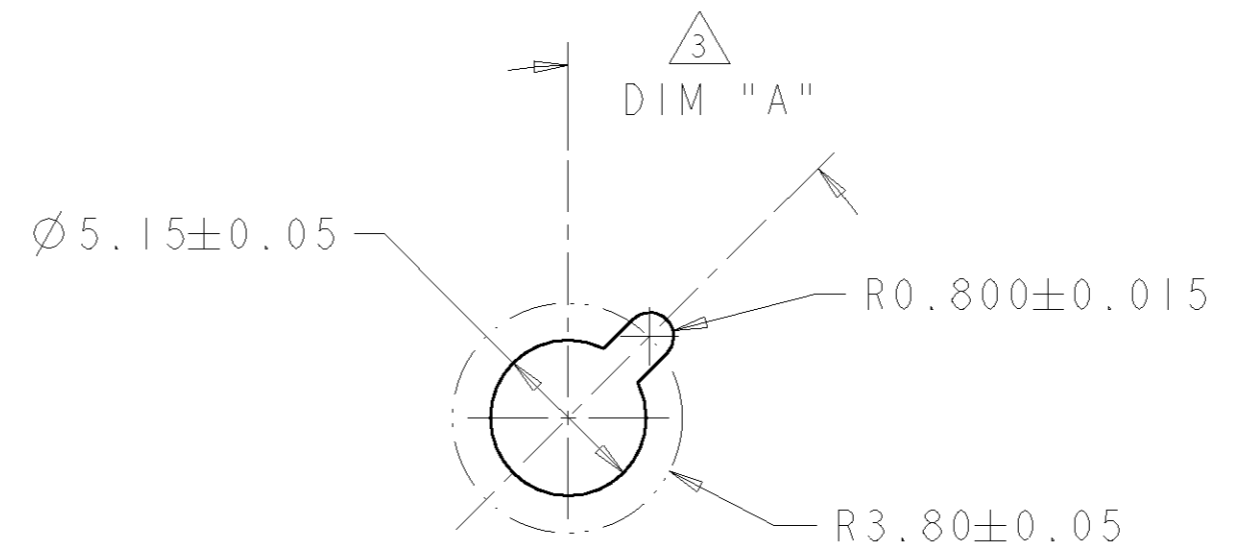
1

THIS DRAWING IS UNPUBLISHED. RELEASED FOR PUBLICATION 20
 © COPYRIGHT 20 BY TYCO ELECTRONICS CORPORATION. ALL RIGHTS RESERVED.

LOC	DIST	REVISIONS					
CG	00	P	LTR	DESCRIPTION	DATE	DWN	APVD
		-		SEE SHEET 1			



TIER 2
 GUIDE PIN FOOTPRINT
 (20.3mm SIGNAL MODULES)
 SCALE 4:1



ALTERNATE PCB LAYOUT
 FOR GUIDE POST
 SCALE 4:1

-	1-1469492-9
315°	1-1469492-8
270°	1-1469492-7
90°	1-1469492-3
45°	1-1469492-2
0°	1-1469492-1
DIM "A"	20.3mm GUIDE MODULE

MATING GUIDE MODULE

<small>THIS DRAWING IS A CONTROLLED DOCUMENT FOR TYCO ELECTRONICS CORPORATION IT IS SUBJECT TO CHANGE AND THE CONTROLLING ENGINEERING ORGANIZATION SHOULD BE CONTACTED FOR THE LATEST REVISION.</small>		DWN R.TREA 02MAR2005 CHK G.GRIFFITH 02MAR2005 APVD G.GRIFFITH 02MAR2005	Tyco Electronics Harrisburg, PA 17105-3608
DIMENSIONS: mm 	TOLERANCES UNLESS OTHERWISE SPECIFIED: 0 PLC ± 1 PLC ±0.5 2 PLC ±.13 3 PLC ±0.013 4 PLC ± ANGLES ± FINISH ±	PRODUCT SPEC - APPLICATION SPEC - WEIGHT -	NAME KEYED GUIDE PIN KIT ASSEMBLY, BACKPLANE CONNECTOR, MULTIGIG, THREADED POST SIZE A2 CAGE CODE 00779 DRAWING NO. 1410956 RESTRICTED TO -
MATERIAL -		CUSTOMER DRAWING	
		SCALE 1:1	SHEET 2 OF 2 REV A